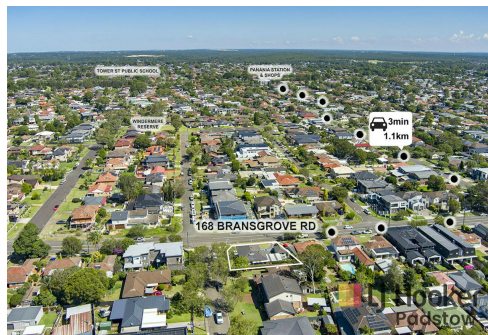
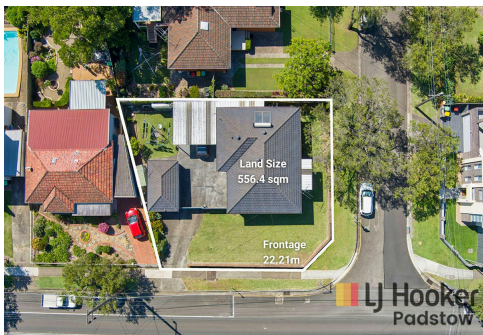




LJ Hooker
Padstow



LJ Hooker
Padstow

Panania, 168 Bransgrove Road

Prime Corner Block with Endless Potential Set on Approx. 556.4sqm

Red Carpet Event | Wednesday 7th May at Revesby Workers Club (2B Brett St, Revesby) at 6:30pm. Registrations from 6:00pm.

Positioned on a levelled 556.4sqm corner block with an impressive 22.21m frontage and dual street access, this double brick property presents an exceptional opportunity for development. Whether you're looking to build a semi-detached duplex (STCA), add a granny flat, or simply move into a well-maintained family home, this generous land size and layout provides the perfect setting for dual income or extended family living. Featuring open plan living and dining, a separate rumpus area, polished timber flooring and multiple outdoor entertaining areas, this home provides comfort today with incredible potential for tomorrow.

The modern kitchen is equipped with premium De'Longhi appliances, ample storage, and



For Sale
SOLD | \$1,460,000

View
ljhooker.com.au/1E6KFAE

Contact
Lush Pillay
0407 121 573
lush.pillay@ljhooker.com.au
Emma Wallekers
02 8790 5559
emma.wallekers@ljhooker.com.au



LJ Hooker Padstow
(02) 9771 1177

Disclaimer: All information contained therein is gathered from relevant third parties sources. We cannot guarantee or give any warranty about the information provided. Interested parties must rely solely on their own enquiries.

generous bench space, making it perfect for everyday family living. Three well-sized bedrooms, two with built-in robes, provide comfortable accommodation, while two sleek bathrooms with floor-to-ceiling tiles offer a contemporary touch. Designed for functionality, the home is also fitted with ducted air conditioning with zone control for year-round comfort.

Located in a highly sought-after pocket, this property is just 2 minutes from Panania Station and 5 minutes from Revesby Station, offering easy access to shops, schools, and local amenities. The versatile corner block allows for future development potential, making it an ideal investment for builders, developers, or families looking to capitalize on a rare opportunity.

Key Features

- Semi-detached duplex potential on 556.4sqm corner block, 22.21m frontage
- Potential to build a granny flat for dual income or extended family living (STCA)
- Open-plan living & dining, separate rumpus, polished timber flooring
- Three spacious bedrooms, two w/ BIRs, two contemporary bathrooms
- Modern kitchen with De'Longhi S/S appliances and ample storage
- Ducted air conditioning with zone control, water tank
- Covered carport & outdoor entertaining area, single garage & storage shed
- 2 min drive to Panania Station, 5 min to Revesby Station, close to shops & schools

Disclaimer: All information contained herein is gathered from sources we believe reliable. We have no reason to doubt its accuracy, however we cannot guarantee it. All interested parties should make and rely upon their own enquiries.

More About this Property

Property ID	1E6KFAE
Property Type	House
Land Area	556.4 m2

Lush Pillay 0407 121 573

Principal & Director | lush.pillay@ljhooker.com.au

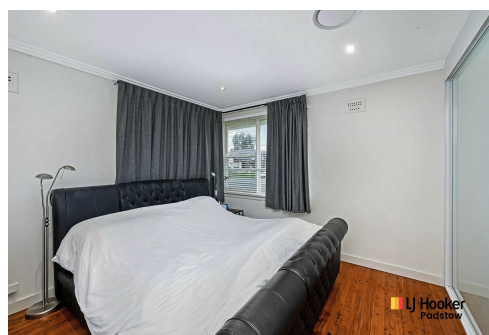
Emma Wallekers 02 8790 5559

Office Sales & Marketing Coordinator | emma.wallekers@ljhooker.com.au

LJ Hooker Padstow (02) 9771 1177

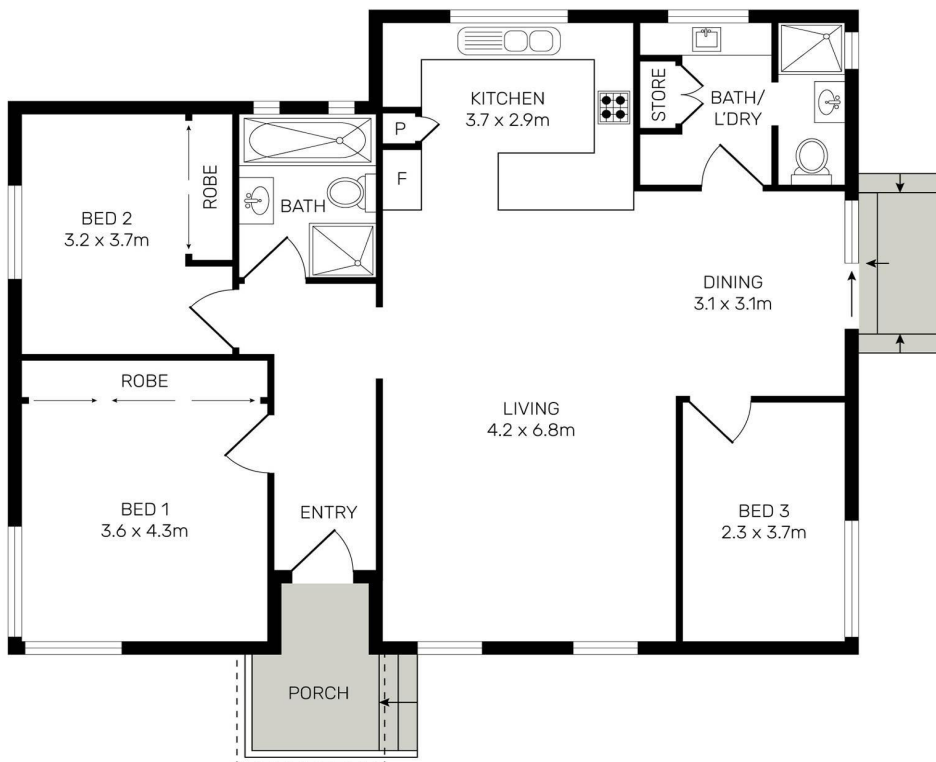
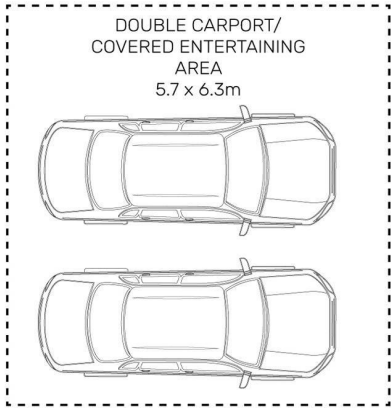
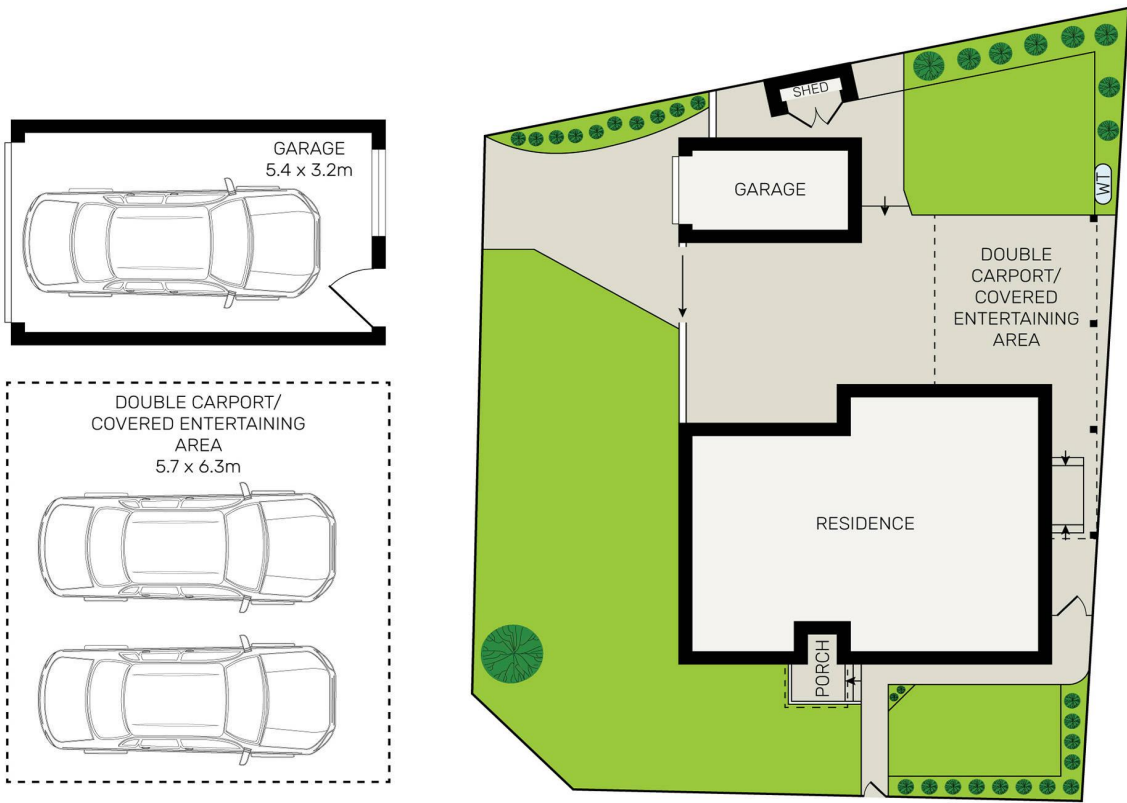
2 Padstow Parade, PADSTOW NSW 2211

padstow.ljhooker.com.au | reception.padstow@ljhooker.com.au



LJ Hooker Padstow
(02) 9771 1177

Disclaimer: All information contained therein is gathered from relevant third parties sources. We cannot guarantee or give any warranty about the information provided. Interested parties must rely solely on their own enquiries.



168 Bransgrove Road, Panania

All information contained herein is gathered from all sources we believe to be reliable. However we cannot guarantee its accuracy and interested parties should rely on their own enquiries.

(02) 9771 1177



LJ Hooker Padstow
(02) 9771 1177

Disclaimer: All information contained therein is gathered from relevant third parties sources. We cannot guarantee or give any warranty about the information provided. Interested parties must rely solely on their own enquiries.