



## Newport, 7/59 Gladstone Street

### Leafy Views with Unbeatable Coastal Convenience

Enjoying a prized top-floor position with a desirable northwest aspect, this freshly updated apartment offers a lifestyle of comfort, privacy and convenience. Framed by lush greenery from every window and capturing serene views over Newport hill, the home is ideally located within easy walking distance to Newport village, the beach, Pittwater, city transport, schools and local parks.

Bathed in natural light, the open plan living and dining area flows seamlessly to a covered balcony with a tranquil leafy outlook-perfect for relaxed entertaining or morning coffee. The oversized kitchen provides ample space for cooking and storage, while two well-proportioned bedrooms both feature built-in robes and share the same calming, green views.

Additional features include:  
\*Freshly painted throughout

2	1	1
---	---	---

**For Sale**  
Buyers Guide: \$1,000,000

**View**  
[ljhooker.com.au/1AQEG5W](http://ljhooker.com.au/1AQEG5W)

**Contact**  
**Jake McDonall**  
0402 740 085  
[jmcdonall@ljhnewport.com.au](mailto:jmcdonall@ljhnewport.com.au)



**LJ Hooker Newport**  
**(02) 9979 1111**

**Disclaimer:** All information contained therein is gathered from relevant third parties sources. We cannot guarantee or give any warranty about the information provided. Interested parties must rely solely on their own enquiries.

- \*New ceiling fans in living and bedrooms
- \*Brand new carpet in bedrooms and quality floorboards through the living areas
- \*New York style laundry
- \*Immaculate bathroom with scope to personalise
- \*Only one common wall

This is a fantastic opportunity to secure a peaceful, well-presented apartment in a highly sought after coastal enclave.



**Disclaimer:**

All information contained herewith, including but not limited to the general property description, price and the address, is provided to LJ Hooker Newport by third parties. We have obtained this information from sources we believe to be reliable; however, we cannot guarantee its accuracy. The information contained herewith should not be relied upon and you should make your own enquiries and seek advice in respect of this property or any property on this website.

## More About this Property

<b>Property ID</b>	1AQEG5W
<b>Property Type</b>	Apartment
<b>Including</b>	Balcony Close to Schools Close to Shops

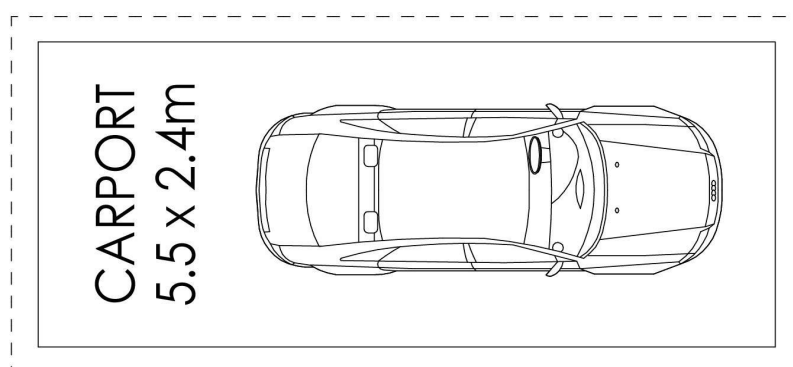
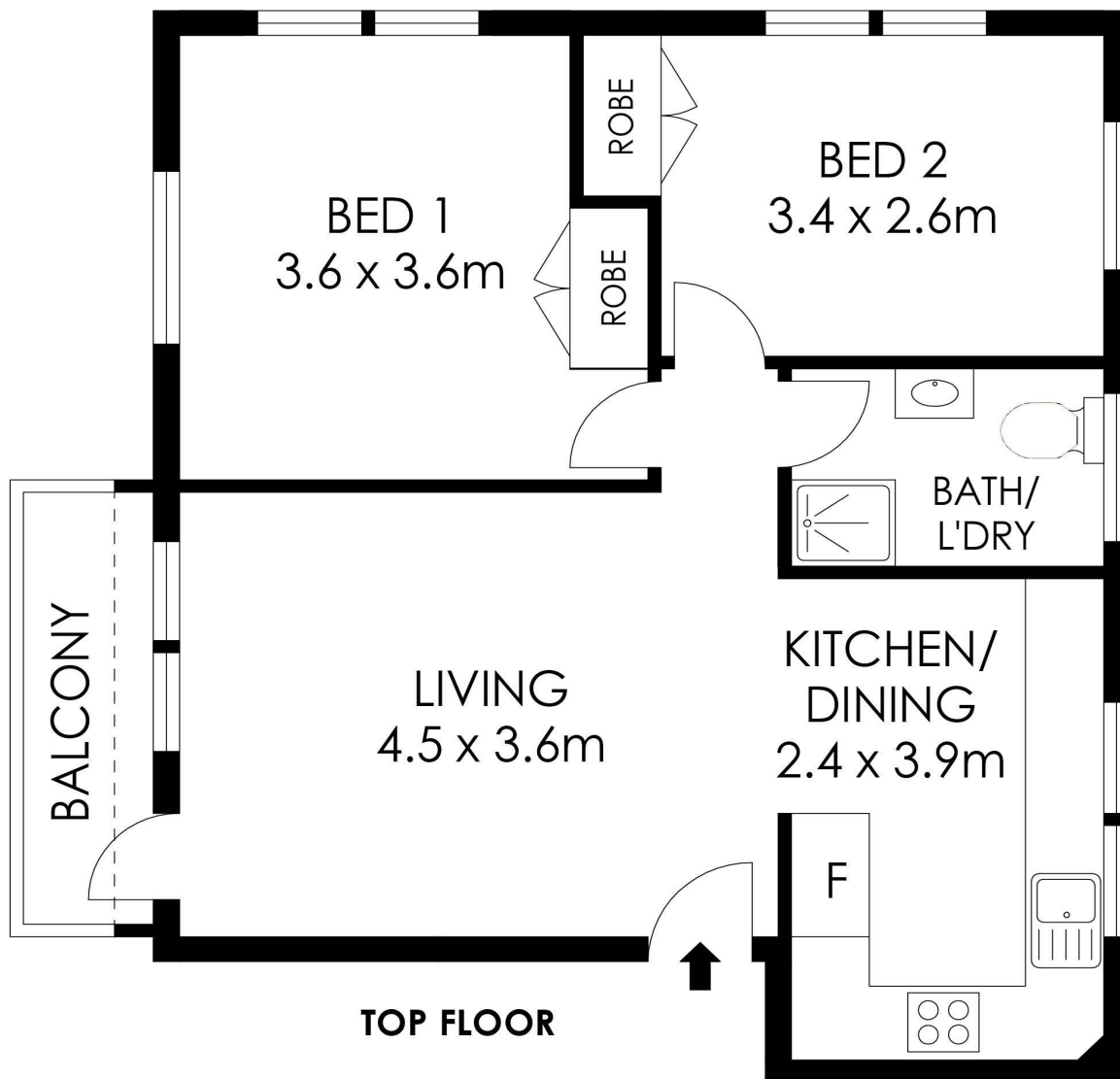
**Jake McDonall 0402 740 085**  
Sales Executive | [jmcdonall@ljhnewport.com.au](mailto:jmcdonall@ljhnewport.com.au)

**LJ Hooker Newport (02) 9979 1111**  
303 Barrenjoey Road, NEWPORT NSW 2106  
[newport.ljhooker.com.au](http://newport.ljhooker.com.au) | [newport@ljhnewport.com.au](mailto:newport@ljhnewport.com.au)



**LJ Hooker Newport**  
**(02) 9979 1111**

**Disclaimer:** All information contained therein is gathered from relevant third parties sources. We cannot guarantee or give any warranty about the information provided. Interested parties must rely solely on their own enquiries.



PLANS SHOWN ONLY INDICATIVE OF LAYOUT. DIMENSIONS ARE APPROXIMATE.

**7/59 Gladstone Street, Newport**

**LJ Hooker**

**LJ Hooker**

**LJ Hooker Newport**  
**(02) 9979 1111**

**Disclaimer:** All information contained therein is gathered from relevant third parties sources. We cannot guarantee or give any warranty about the information provided. Interested parties must rely solely on their own enquiries.